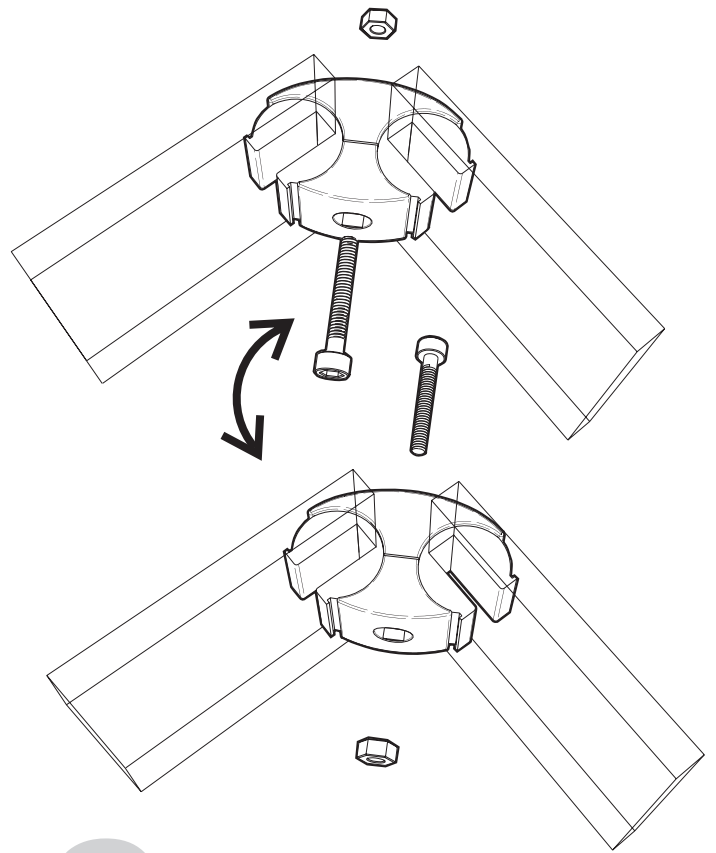
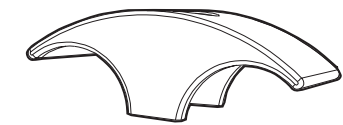
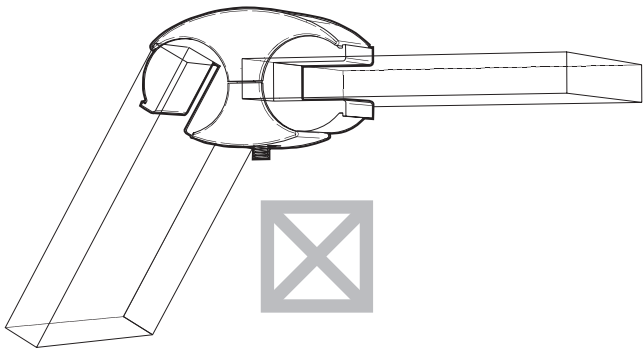


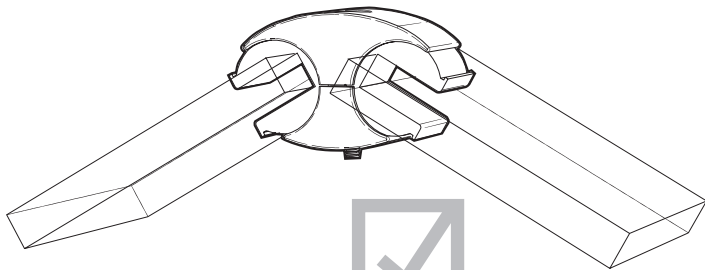
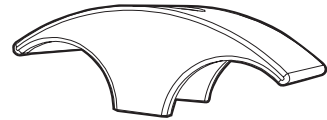
1



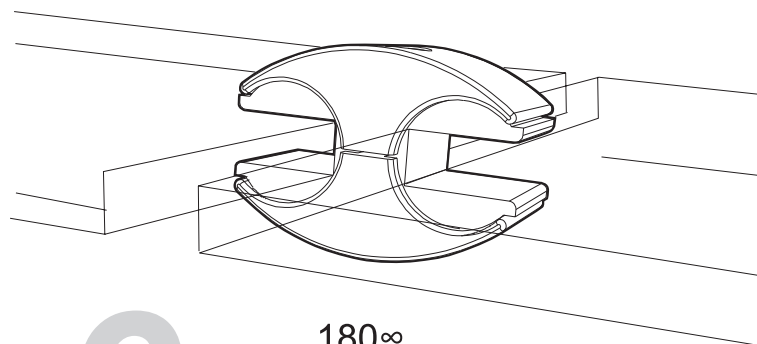
2



+



5

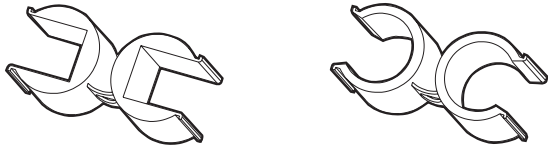


180°

6

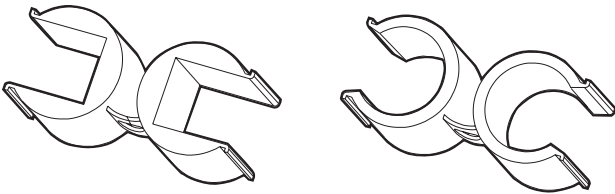
2, 4, 6, 8 mm +  $\varnothing$  13 mm

+/- 1 mm



6, 8, 10, 12, 16, 19mm +  $\varnothing$  20 mm

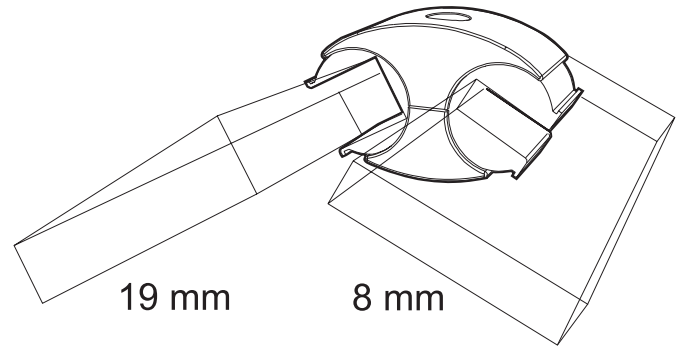
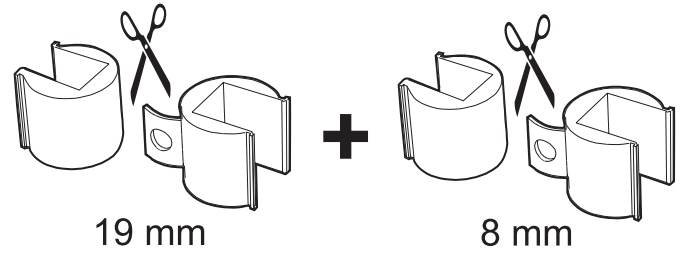
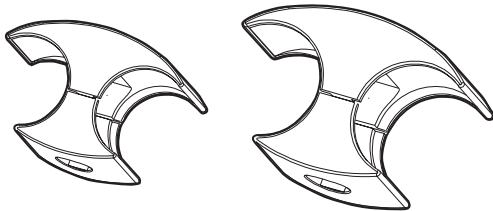
+/- 1 mm



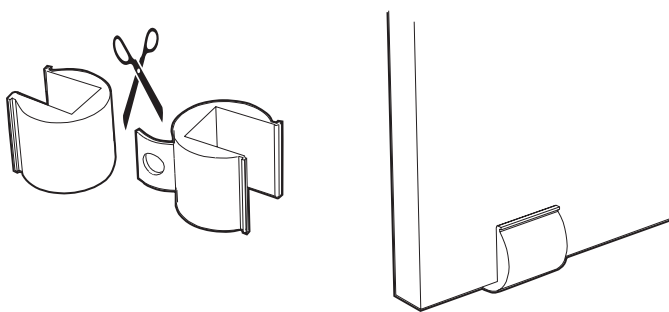
$\varnothing$  20mm +  $\varnothing$  25 mm

+/- 0 mm

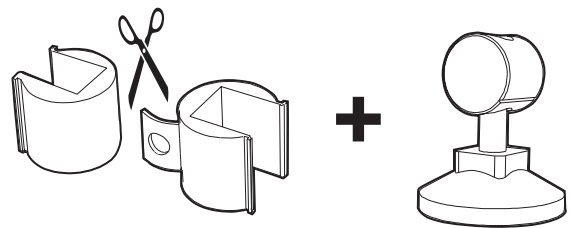
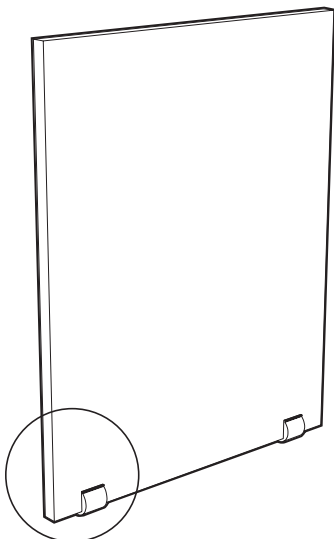
3



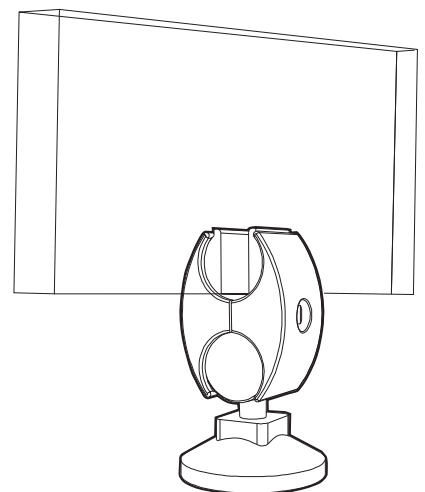
4



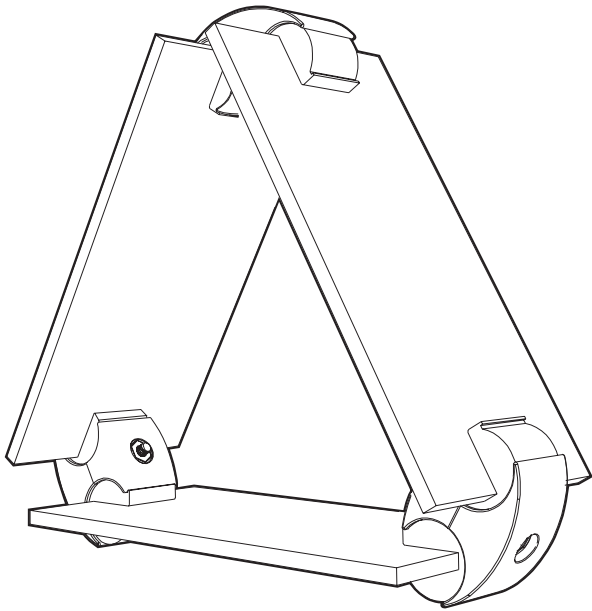
7



8

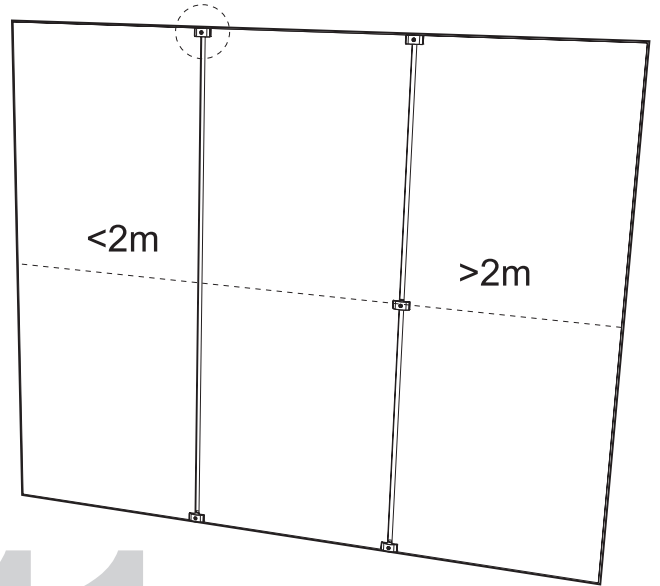
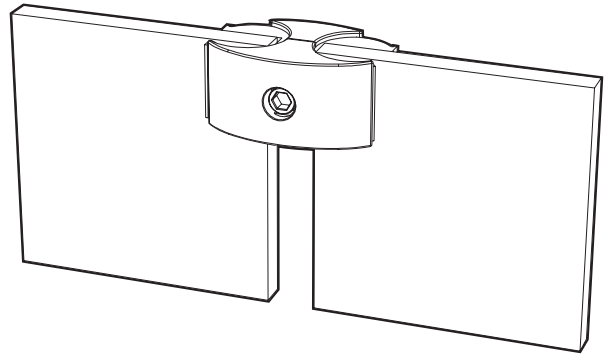


3 x 60∞

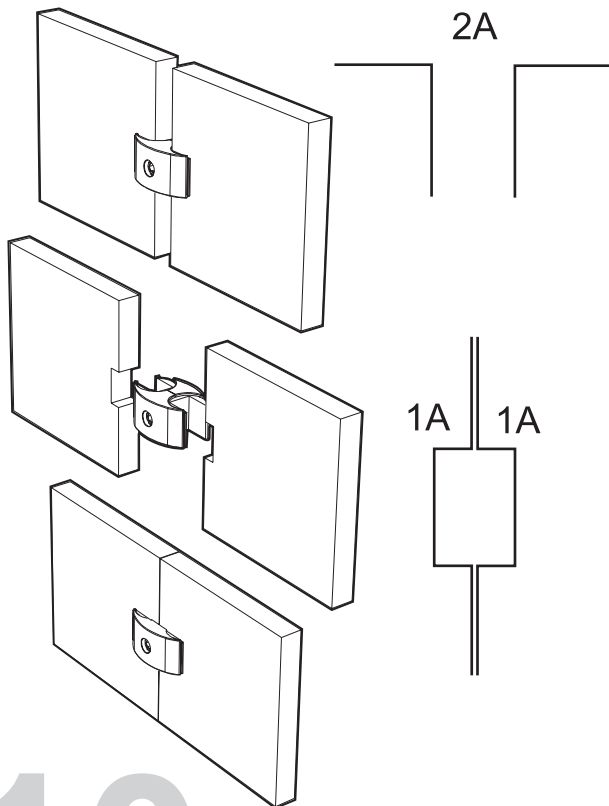


6-10 mm only

9



11



10

